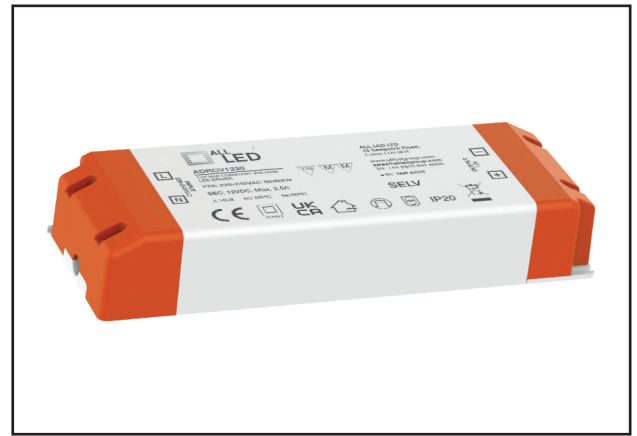


## ADRCV1230

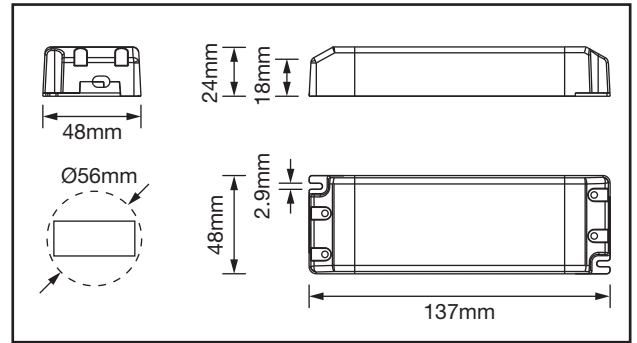
30W 12V DC Constant Voltage  
LED Driver

# Drive12



### PRODUCT FEATURES

- 12V DC Constant Voltage LED Power Supply
- Over Temperature Protection
- Overload Protection
- No Load Protection
- Regulated Output
- SELV Rated



### TECHNICAL SPECIFICATIONS

| Product Code                       | ADRCV1230           |
|------------------------------------|---------------------|
| Operating Voltage                  | 220-240V AC         |
| Operating Current (A Max)          | 0.3A                |
| Max Output Power                   | 0 - 30W             |
| Output Current (Max)               | 2.5A                |
| Output Voltage                     | 12V DC              |
| Power Factor                       | >0.9                |
| Efficiency %                       | 87%                 |
| No Load Power (W)                  | <0.5W               |
| Dimmable                           | No                  |
| Class                              | II                  |
| Body Material                      | Polymer             |
| Frame Colour                       | White (Orange Caps) |
| Switching Cycles                   | >100,000            |
| Ingress Protection                 | IP20                |
| Ambient Operating Temperature (°C) | -20°C ~ +50°C       |
| Input Frequency (Hz)               | 50/60Hz             |
| Guarantee                          | 5 Years             |
| Lifetime                           | 30,000 Hrs          |
| Displacement Factor                | >0.9                |
| Inrush Current                     | 29.9A, 0.79µs       |
| Over Temperature Protection        | Yes                 |
| Overload Protection                | Yes                 |
| No Load Protection                 | Yes                 |